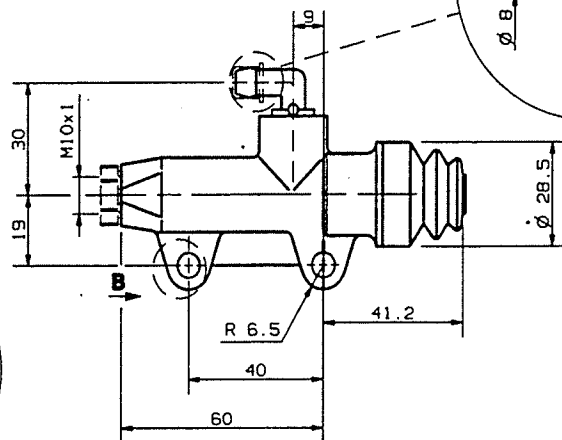


Cutaway view of clamp detail from B view.



DESCRIPTION

Rear master cylinder without push rod.
 Construction Material: Aluminium Alloy.
 Operating fluid: brake fluid DOT4.
 Pipe fitting can be oriented in the desired position.

Master cylinder BODY color: Black Anodic Oxidation.

TECHNICAL CHARACTERISTICS

Piston diameter: 13.0 mm
 Piston and push rod clearance with assembled master cylinder: 1.0 mm
 Weight: 0.084 Kg

AVAILABLE SPARE PARTS

SPARE PARTS CODE	PIPE FITTING	BOOT
10.4776.60	210.3127.20	210.3741.20